



 fresh-r®

Decentral ventilation with heat recovery





Some benefits

Improves indoor air quality

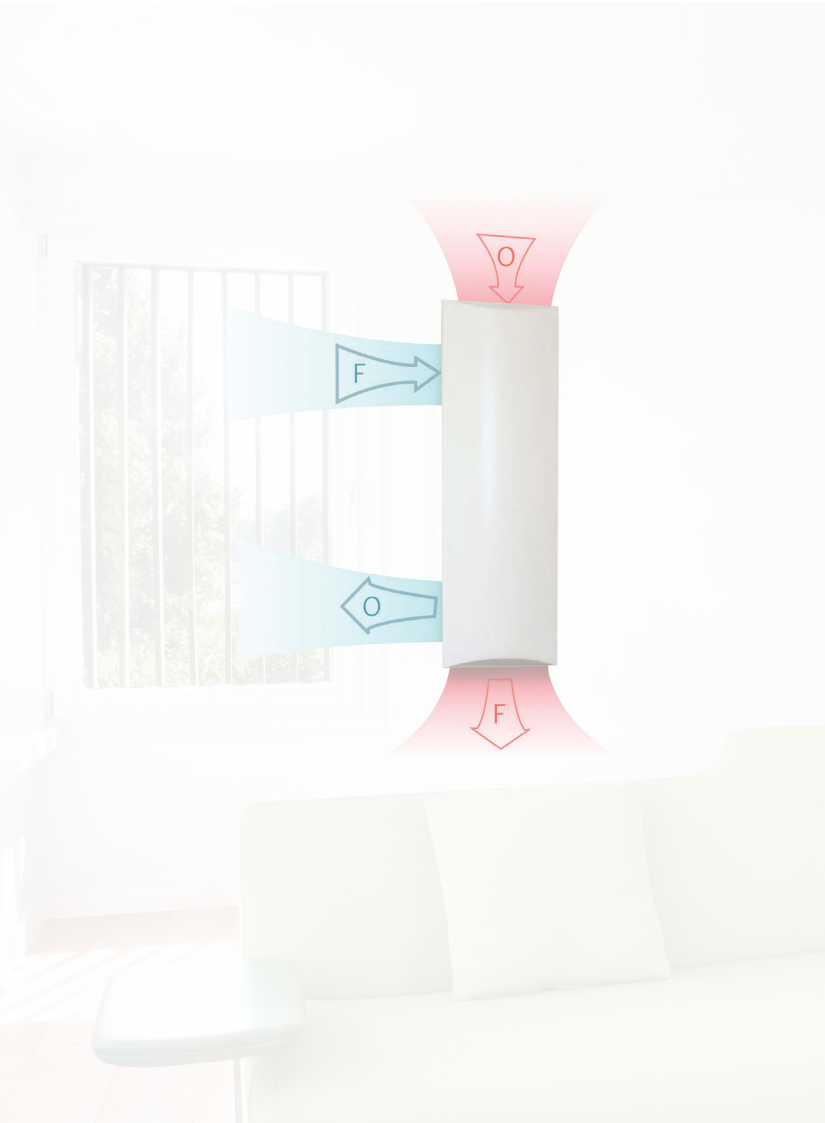
Pays for itself in 7 years

Powerful and ultra-quiet

Uses less energy than a LED-light

Ductless; no dust, odours or fungi

No filter replacement needed



The fresh-r provides healthy indoor air quality

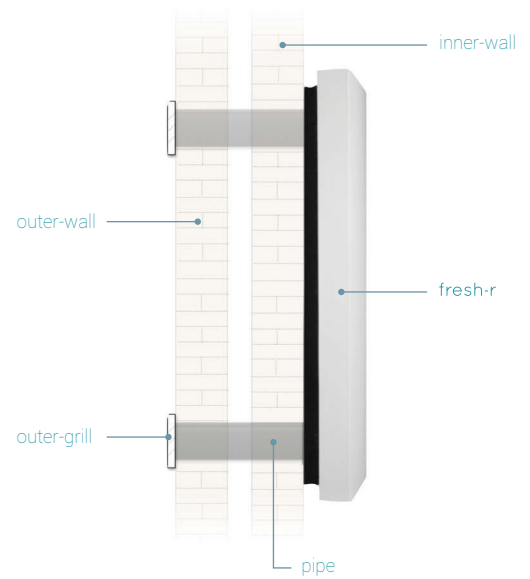
Air quality is constantly measured (in ppm CO₂)

fresh-r takes in fresh air from outside (flow F), while expelling old air (flow O).

To conserve energy, the incoming fresh air is pre-warmed by the warm, outgoing stale air (without the airflows mixing, of course).

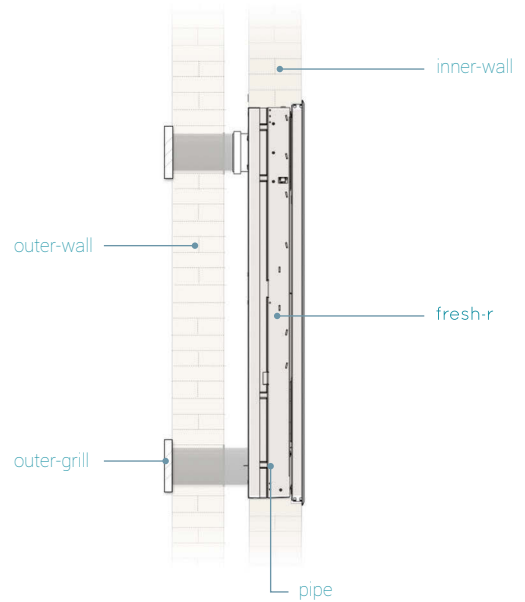


On-the-wall unit





In-the-wall unit



Specifications and Pricing





Specifications

Flow range	0-120m ³ /hr
Working range *	-20°C to 50°C
Max. power consumption	60 Watt
Avg. power consumption	6 watt
Noise	30 dB(A) at 80 m ³ /hr according ISO 3741
Efficiency (at 50m ³ /hr)	90% true eff.
Control	automatic (on basis of CO ₂ ppm)
Certification	CE

* The world's first HRV to work at sub-zero temperatures without adding energy.

Tested by an independent test lab.

Pricing information

Price per unit € 1.850

Includes: Delivery to any one location in EU
Front panel (in the wall or on the wall)
2 x outside grills
2 x 32 cm duct to outside
Installation instructions + drilling template

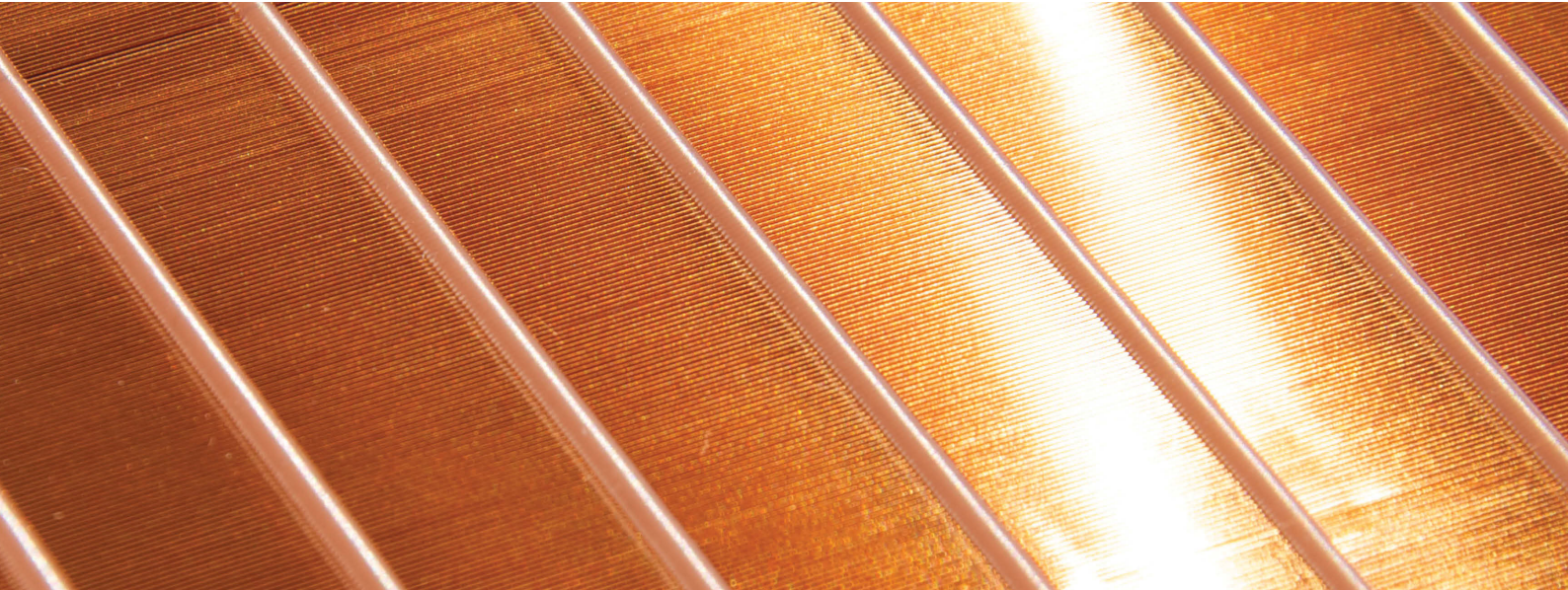
Excludes: Installation
VAT and import duties (if applicable)

Leadtime 8 weeks (Order-to-on-site delivery)

Discounts apply for quantities higher than 20 units per order,
please contact sales@vaventis.com for a quotation.

 fresh-r®





The core of the fresh-r is a fine wire heat exchanger that consists of 8 km very thin copper wire with a total weight of less than 0.5 kg copper. With a heat transfer coefficient of 400 W/mK copper transfers heat 1000 times better than polyethylene of which traditional heat exchangers are made.

Combined with intelligent controls it has a higher overall efficiency, which results in more comfortable air coming in and a shorter payback time of the fresh-r.



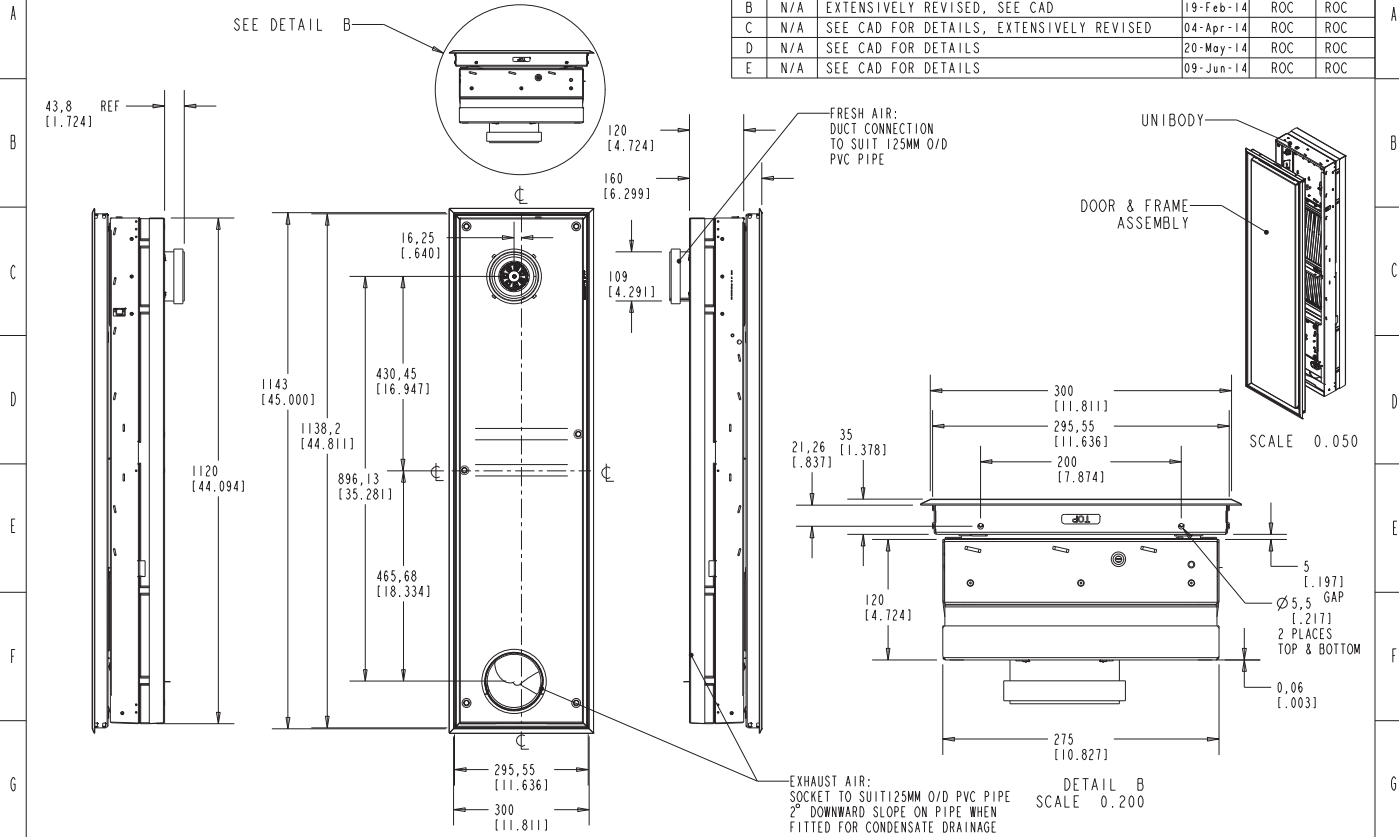
Technical and Installation detail



1 2 3 4 5 6 7 8 9 10

VAVENTIS MFG. NOTES
 1 N/A

REV.	EC #	REVISION DESCRIPTION	DATE	D.ENG.	CHECKER
A	N/A	INITIAL PROTOTYPE RELEASE	02-Nov-13	ROC	ROC
B	N/A	EXTENSIVELY REVISED, SEE CAD	19-Feb-14	ROC	ROC
C	N/A	SEE CAD FOR DETAILS, EXTENSIVELY REVISED	04-Apr-14	ROC	ROC
D	N/A	SEE CAD FOR DETAILS	20-May-14	ROC	ROC
E	N/A	SEE CAD FOR DETAILS	09-Jun-14	ROC	ROC



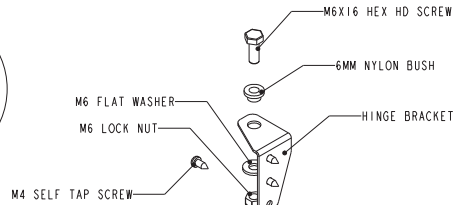
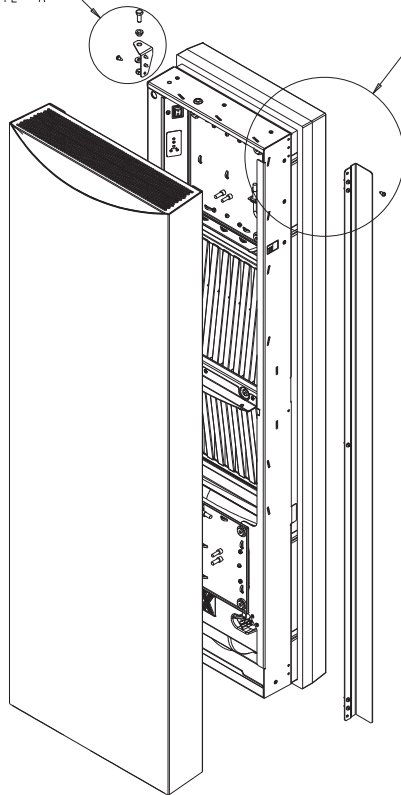
VAVENTIS B.V. DISCLOSURE THIS DOCUMENT IS THE PROPERTY OF VAVENTIS B.V. ITS USE IS AUTHORIZED BY VAVENTIS B.V. ONLY. ALL QUESTIONS MUST BE REFERRED TO VAVENTIS B.V. PERSONNEL: DESIGN ENG., MFG. ENG., AND / OR PURCHASING. ANY PRINTED COPY IS UNCONTROLLED AND TO BE USED FOR REFERENCE ONLY. REFER TO VAVENTIS B.V. CAD SYS. FOR VERIFICATION. Form No. 1001 Rev. 1		MATERIAL: N/A FINISH: N/A IF APPLICABLE PLACE SECOND FINISH AND DESCRIPTION HERE ALL INNER BEND RADI: 1 mm BOTTOM BEND UNLESS OTHERWISE STATED TOLERANCES, UNLESS OTHERWISE STATED: DECIMAL .xxx ± .020 HOLES .xxx ± .003 TOLERANCES FOR CNC FLAT .xxx EXCLUDING HOLE DIA. +/- .010 TOLERANCE .xx ± .030 ANGLES ± 1° REF		BEND DEDUCTION: N/A COSMETICS PER VAVENTIS B.V. SPEC Q-1 SEE CAD FOR DIMS. NOT SHOWN BREAK ALL SHARP EDGES ALL DIMENSIONS ARE IN INCHES		PART NO.: EG2R-230-133-04 TITLE: BW PROTO #3 FIRST USED ON: EG2R-230-133-04 DESIGN ENG.: ROC DATE: 02-Nov-13 BY: VAVENTIS REVISION: E SHEET: 1 of 1	
---	--	--	--	--	--	--	--

1 2 3 4 5 6 7 8 9 10

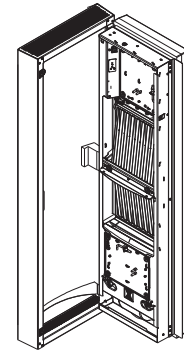
1	2	3	4	5	6	7	8	9	10	
VAVENTIS MFG. NOTES					REV.	EC #	REVISION DESCRIPTION	DATE	D.ENG.	CHECKER
1. DIMENSIONED DRAWING ON SHEET 2-2					A	N/A	INITIAL PROTOTYPE RELEASE	28-May-14	ROC	ROC

SEE DETAIL A

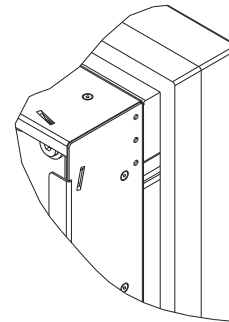
SEE DETAIL B



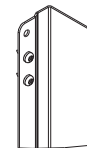
DETAIL A
SCALE 0.330
HINGE BRACKET
TOP & BOTTOM



SCALE 0.060
COVER HINGED FROM
LEFT OR RIGHT SIDE
ASSEMBLE HINGE BRACKETS &
SEALING ANGLE AS REQUIRED



DETAIL B
SCALE 0.330
SEALING ANGLE
FIX IN PLACE AS
REQUIRED ON OPPOSITE
SIDE TO HINGE BRACKETS



M4 SELF
TAP SCREW
6 PLACES

VAVENTIS B.V. DISCLOSURE

THIS DOCUMENT IS THE PROPERTY OF VAVENTIS B.V. ITS USE IS AUTHORIZED BY VAVENTIS B.V. ONLY. ALL QUESTIONS MUST BE REFERRED TO VAVENTIS B.V. PERSONNEL: DESIGN ENG., MFG. ENG., AND / OR PURCHASING.

CAUTION: ANY PRINTED COPY IS UNCONTROLLED AND TO BE USED FOR REFERENCE ONLY. REFER TO VAVENTIS B.V. CAD SYS. FOR VERIFICATION.

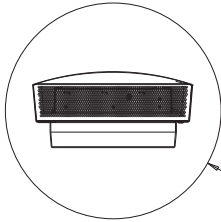
Form No. 1001 Rev. A

MATERIAL:	N/A	BEND DEDUCTION:	N/A
FINISH:	N/A	COSMETICS PER VAVENTIS B.V. SPEC Q-1	
IF APPLICABLE PLACE SECOND FINISH AND DESCRIPTION HERE	SEE CAD FOR DIMS. NOT SHOWN		
ALL INNER BEND RADI : 1mm BOTTOM BEND UNLESS OTHERWISE STATED	BREAK ALL SHARP EDGES		
TOLERANCES, UNLESS OTHERWISE STATED:	ALL DIMENSIONS ARE IN TWICHES		
DECIMAL .xxx ± .020 HOLES .xxx ± .003 TOLERANCES FOR CNC FLAT .xxx	TOLERANCES FOR CNC FLAT .xxx		
TOLERANCE .xx ± .030 ANGLES ± 1° REF EXCLUDING HOLE DIA. +/- .010	TOLERANCE .xx ± .030 ANGLES ± 1° REF EXCLUDING HOLE DIA. +/- .010		

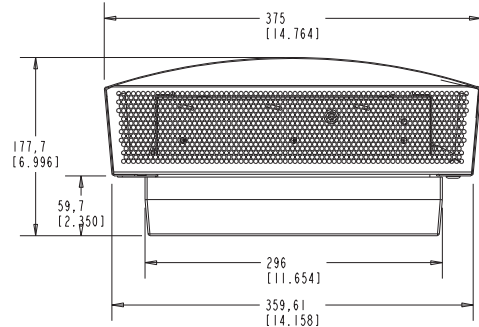
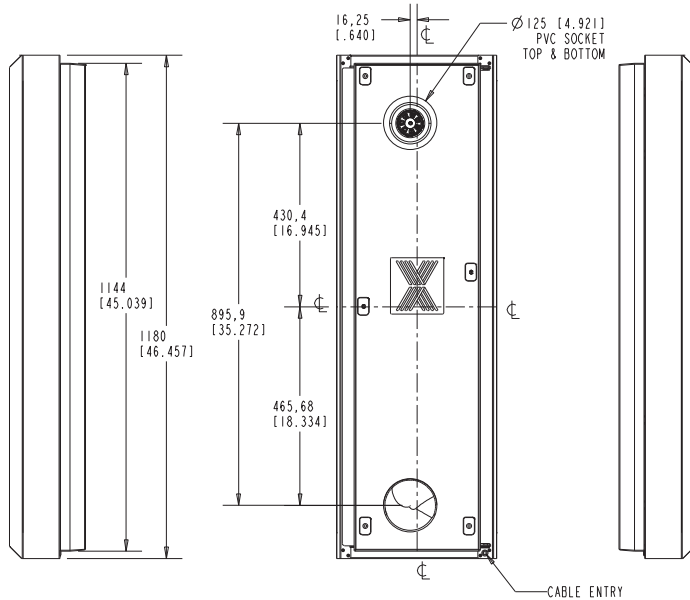
PART NO:	EG2R-230-133-06		
TITLE:	CURVED ON WALL UNIT		
FIRST USED ON:	EG2R-230-133-06		
DESIGNING:	ROC	ORIG. DATE:	13-Aug-14
REV:	AVV	DATE:	



1 N/A



SEE DETAIL C



DETAIL C
SCALE 0.200

<p>VAVENTIS B.V. DISCLOSURE</p> <p>THIS DOCUMENT IS THE PROPERTY OF VAVENTIS B.V. ITS USE IS AUTHORIZED BY VAVENTIS B.V. ONLY. ALL QUESTIONS MUST BE REFERRED TO VAVENTIS B.V. PERSONNEL: DESIGN ENG., MFG. ENG., AND / OR PURCHASING.</p> <p>ANY PRINTED COPY IS UNCONTROLLED AND TO BE USED FOR REFERENCE ONLY. REFER TO VAVENTIS B.V. CAD SYS. FOR VERIFICATION.</p> <p>Form No. 1001 Rev. A</p>		<p>MATERIAL: N/A</p> <p>FINISH: SEE SHEET 1</p> <p>IF APPLICABLE, ENTER SECOND FINISH AND DESCRIPTION HERE</p> <p>ALL INNER BEND RADI: 1mm BOTTOM BEND UNLESS OTHERWISE STATED</p> <p>TOLERANCES, UNLESS OTHERWISE STATED:</p> <p>DECIMAL .xxx ± .020 HOLES .xxx ± .003 TOLERANCES FOR CNC FLAT .xxx EXCLUDING HOLE DIA. +/- .010</p>		<p>BEND DEDUCTION: N/A</p> <p>COORNINGS PER VAVENTIS B.V. SPEC 0-1</p> <p>SEE CAD FOR DIMS. NOT SHOWN</p> <p>BREAK ALL SHARP EDGES</p> <p>ALL DIMENSIONS ARE IN INCHES</p>		<p>PART NO.: EG2R-230-133-06</p> <p>TITLE: CURVED ON WALL UNIT</p> <p>FIRST USED ON: EG2R-230-133-06</p> <p>DESIGN ENG.: ROC ORIG. DATE: 13-Aug-14 EA: VAV</p>			
<p>CAUTION:</p>						<p>REVISION A</p>		<p>SHEET 2 of 2</p>	

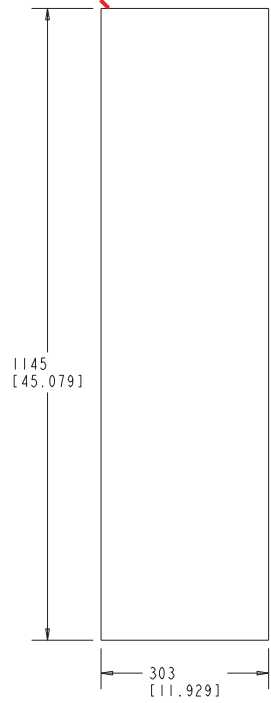
1 2 3 4 5 6 7 8 9 10

VAVENTIS MFG. NOTES
 1 N/A

REV.	EC #	REVISION DESCRIPTION	DATE	D. ENG.	CHECKER
A	N/A	INITIAL PROTOTYPE RELEASE	09-Apr-14	ROC	ROC
B	N/A	MODIFIED TEMPLATE	09-Jun-14	ROC	ROC



- VIEW FROM INSIDE OF BUILDING
- WALL CUT-OUT SHOULD BE NOMINAL DIMENSION ± 2mm



Note:
 a wall-cut template will be provided with the unit.

VAVENTIS B.V. DISCLOSURE <small>THIS DOCUMENT IS THE PROPERTY OF VAVENTIS B.V. ITS USE IS AUTHORIZED BY VAVENTIS B.V. ONLY. ALL QUESTIONS MUST BE REFERRED TO VAVENTIS B.V. PERSONNEL: DESIGN ENG., MFG. ENG., AND / OR PURCHASING.</small> CAUTION: ANY PRINTED COPY IS UNCONTROLLED AND TO BE USED FOR REFERENCE ONLY. REFER TO VAVENTIS B.V. CAD SYS. FOR VERIFICATION. <small>Form No. 1001 Rev. 8</small>		MATERIAL: N/A FINISH: N/A IF APPLICABLE PLACE SECOND FINISH AND DESCRIPTION HERE ALL INNER BEND RADI: 1mm BOTTOM BEND UNLESS OTHERWISE STATED TOLERANCES, UNLESS OTHERWISE STATED: DECIMAL: .xxx ± .020 HOLES: .xxx ± .003 TOLERANCES FOR CNC FLAT: .xxx EXCLUDING HOLE DIA. +/- .010 TOLERANCE: .xx ± .030 ANGLES: ± 1° REF	BEND DEDUCTION: N/A <small>COOMETICS PER VAVENTIS B.V. SPEC Q-1</small> SEE CAD FOR DIMS. NOT SHOWN BREAK ALL SHARP EDGES ALL DIMENSIONS ARE IN INCHES	PART #: INNER-WALL-TEMPLATE TITLE: INNER WALL TEMPLATE FIRST USED ON: EG2R-230-133-04 DESIGN ENG.: ROC DATE: 09-Apr-14 BY: VAVENTIS REVISION: B SHEET: 1 of 1	
---	--	--	---	---	--

1 2 3 4 5 6 7 8 9 10

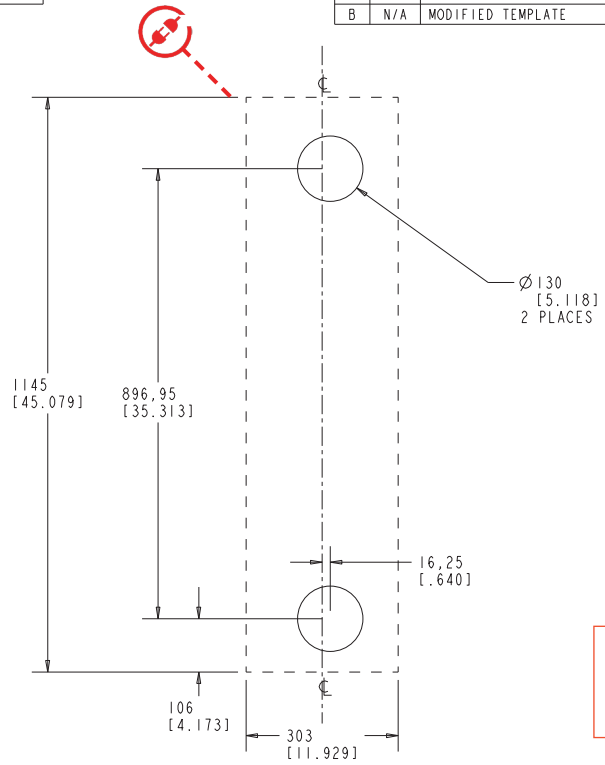
1	2	3	4	5	6	7	8	9	10
---	---	---	---	---	---	---	---	---	----

VAVENTIS MFG. NOTES

1 N/A

REV.	EC #	REVISION DESCRIPTION	DATE	D. ENG.	CHECKER
A	N/A	INITIAL PROTOTYPE RELEASE	09-Apr-14	ROC	ROC
B	N/A	MODIFIED TEMPLATE	10-Jun-14	ROC	ROC

- VIEW FROM INSIDE OF BUILDING
- WALL CUT-OUT SHOULD BE NOMINAL DIMENSION ± 2mm



Note:
a drilling-template will be provided with the unit.

VAVENTIS B.V. DISCLOSURE THIS DOCUMENT IS THE PROPERTY OF VAVENTIS B.V. ITS USE IS AUTHORIZED BY VAVENTIS B.V. ONLY. ALL QUESTIONS MUST BE REFERRED TO VAVENTIS B.V. PERSONNEL: DESIGN ENG., MFG. ENG., AND / OR PURCHASING. ANY PRINTED COPY IS UNCONTROLLED AND TO BE USED FOR REFERENCE ONLY. REFER TO VAVENTIS B.V. CAD SYS. FOR VERIFICATION. Form No. 1001 Rev. 0		MATERIAL: N/A FINISH: N/A IF APPLICABLE PLACE SECOND FINISH AND DESCRIPTION HERE ALL INNER BEND RADI ≥ 1 mm BOTTOM BEND UNLESS OTHERWISE STATED TOLERANCES, UNLESS OTHERWISE STATED: DECIMAL .xxx ± .020 HOLES .xxx ± .003 TOLERANCES FOR CNC FLAT .xxx EXCLUDING HOLE DIA. +/- .010 TOLERANCE .xx ± .030 ANGLES ± 1° REF		BEND DEDUCTION: N/A COSMETICS PER VAVENTIS B.V. SPEC-Q-1 SEE CAD FOR DIMS. NOT SHOWN BREAK ALL SHARP EDGES ALL DIMENSIONS ARE IN INCHES 		PART: OUTER-WALL-TEMPLATE TITLE: OUTER WALL TEMPLATE FIRST USED ON: EG2R-230-133-04 DESIGNING: ROC DATE: 09-Apr-14 BY: VAVENTIS REVISION: B SHEET: 1 of 1			
---	--	---	--	--	--	---	--	--	--

1	2	3	4	5	6	7	8	9	10
---	---	---	---	---	---	---	---	---	----





Vaventis

Achteromstraat 8a
1381 AV, Weesp
The Netherlands

T +31 294 261 171
F +31 294 226241
sales@vaventis.com

www.vaventis.com

ORDER FORM

(page 1 of 2)

Billing address

Company name

Contact name

Address



City

ZIP code

Country

Phone number

Email

	Product order	Quantity	Costs /piece
	 fresh-r type IN-THE-WALL complete unit, including front panel painted in RAL 9010, outside grills painted in RAL7016, 32 cm pipes, control unit, heat exchanger, drilling template, installation and user manual, packed and delivered to one place in Europe.	0	€ 1.850
	 fresh-r type ON-THE-WALL complete unit, including front panel painted in RAL 9010, outside grills painted in RAL7016, 32 cm pipes, control unit, heat exchanger, drilling template, installation and user manual, packed and delivered to one place in Europe.	0	€ 1.850
	Total		€ 0

signature



Vaventis

ORDER FORM

(page 2 of 2)

General information

All costs are excluding installation, excluding applicable VAT and taxes.
Terms are according Vaventis BV general terms of sales & delivery.

For quantities larger then 20 pieces per order a discount applies, contact us for a customized quotation.

For different colors then mentioned above additional costs apply at quantities under 20 pieces per order, please contact us for specific requests.

Vaventis email address sales@vaventis.com

Order and delivery process

STEP 1. sent filled out and signed order form to sales@vaventis.com or fax to +31 294 262 241

STEP 2. within 2 days Vaventis sends invoice, this invoice includes order- and payment-details.

STEP 3. customer pays according invoice

STEP 4. after payment is received at Vaventis BV bank account, Vaventis BV will confirm the order

STEP 5. within 8 weeks after payment, Vaventis BV will deliver the unit(s) at shipping address

Shipping address

Only fill this in if different then Billing address | Shipping address should not be a PO box

Company name

Contact name

Address

City

ZIP code

Country

Phone number

Name

Place

Date

signature